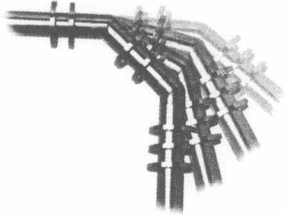
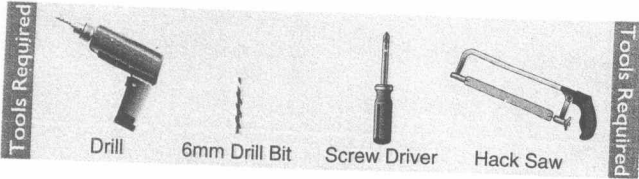


28mm Premier 3-Sided Bay Pole Instructions

- Please read carefully before commencing

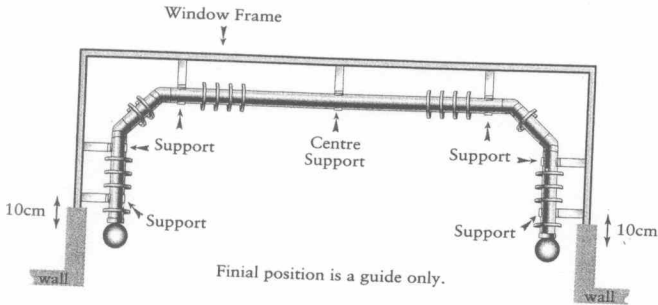
We strongly recommend that 2 people undertake the fixing of this pole

If fitting with a Return Kit, please open and read both sets of fixing instructions before installation.

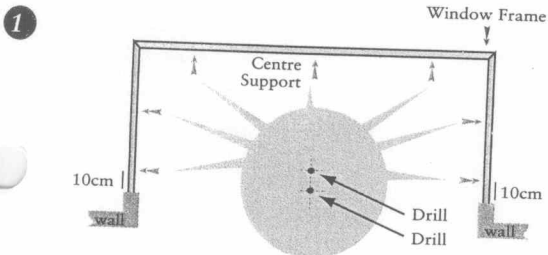


The unique corner joints in this Premier 3-Sided Bay Pole will fit into any 3-sided bay. We are using a 90° bay as an example only.

How The Completed Pole Should Look

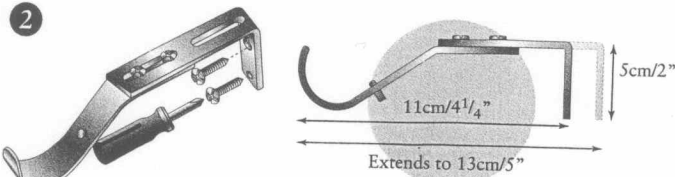


Support Positions



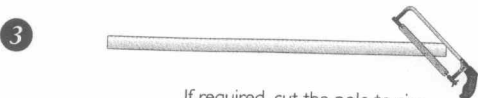
Mark and drill the positions using a 6mm drill bit, for the 7 supports as shown by arrows in the illustration that best matches your window size. Ensure the Centre Support is positioned in the middle of the window, and that the rest of the supports do not interfere with the corner joints. Insert the wall plugs supplied

Note: For extra strength, we recommend fixing the supports to a wooden batten



Fix the support brackets to the wall in the positions marked in step 1.

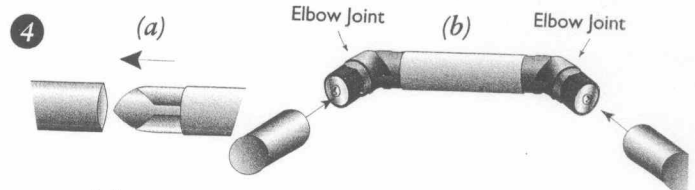
Adjusting Pole Length



If required, cut the pole to size.
Please Note: If cutting the poles, cut an equal amount off both poles. This will ensure the join remains in the centre.

When cutting the pole to size please make sure you allow for the length of the corner bends.

Assemble Pole Before Hanging

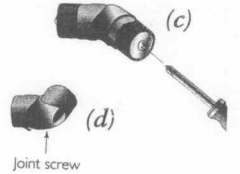


(a) Join the longer length poles together using the joining bar provided.

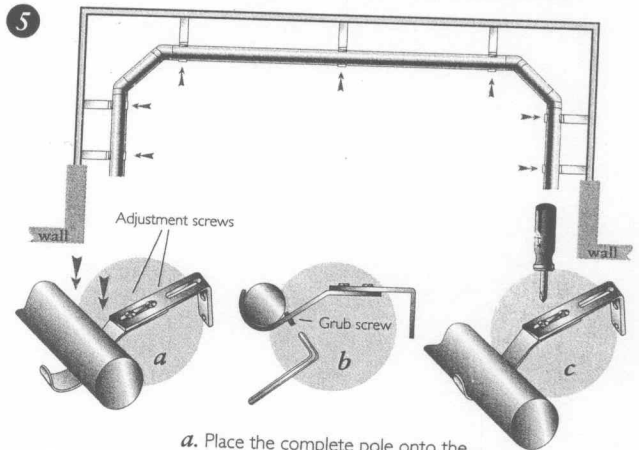
(b) Push the Elbow Joints securely into the ends of the poles

(c) For a tighter fix, tighten the screw on the Elbow Joint.

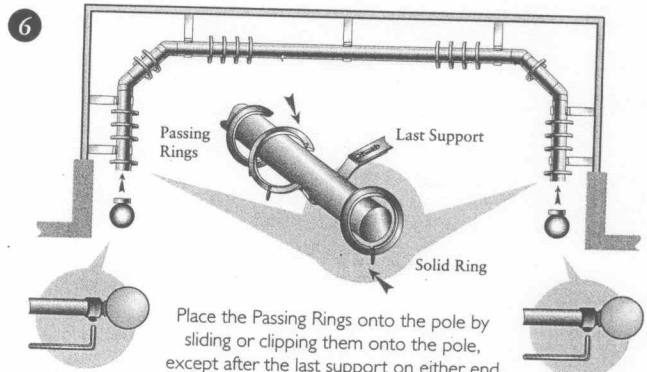
(d) Please ensure that the Elbow Joint is fixed with the screw on the joint facing downwards



Hanging The Pole



a. Place the complete pole onto the supports. To help align the pole there are some adjustment screws on top of the supports.
b. To hold the pole in position, tighten the grub screw underneath with the allen key supplied.
c. Finally tighten the adjustment screws on top of the supports.



Place the Passing Rings onto the pole by sliding or clipping them onto the pole, except after the last support on either end where there is a solid ring supplied for each side - slide these onto the pole.

Place the finial onto the pole - either push on for push-fit, or secure using the allen key if it has a grub screw.

7 To enhance the fit, we advise that you tighten the joint screws on the elbow of the corner joint refer to point 4d. We recommend that the rings are positioned at least 10cm apart to enhance the flow of the curtain.

Component parts may vary in style.

LB0015