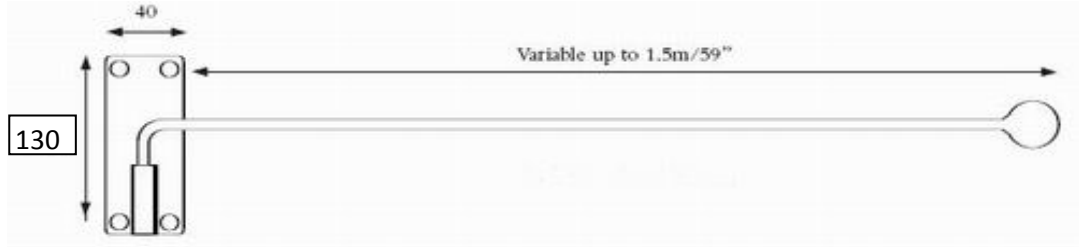


CAMERON FULLER DOOR ROD

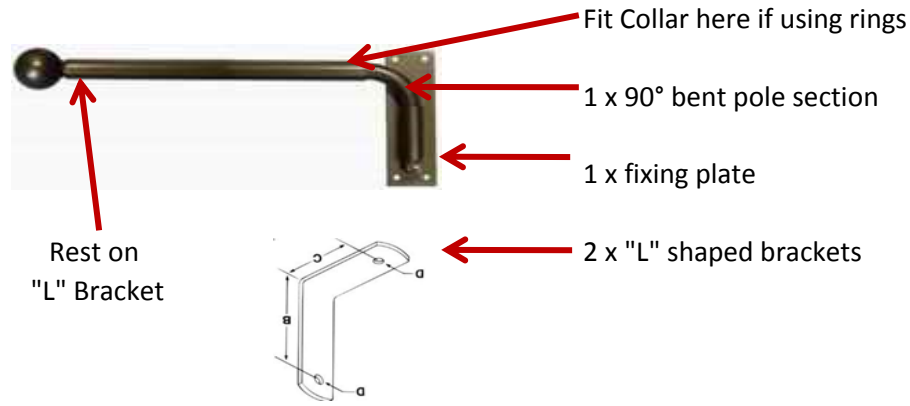


Standard Contents

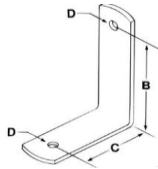
- 1 x Pole length with Finial
- 1 x 90° bent pole section
- 1 x fixing plate
- 2 x "L" shaped brackets

If supplied with Rings

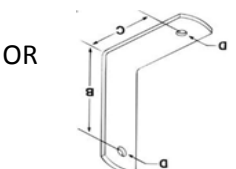
- 1 x collar to stop rings sliding off
- Quantity of rings



Fit Option 1



Fit Option 2



"L" shaped bracket is available to support the unsupported end of the the pole if required and can be used in either manner as diagram. Use one for position across the door and, if required, fit one on wall when arm is swung away from door in parking position
 N.B. There is only one fixing hole in bracket.