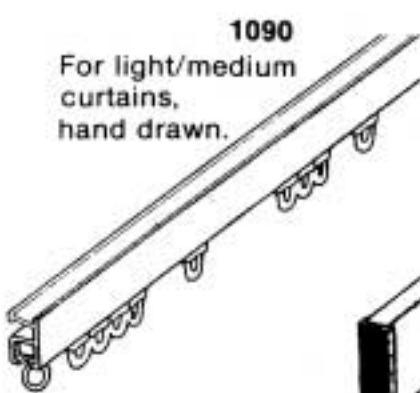


Silent Gliss Curtain Tracks

If you are pleased with the performance of your precision-engineered Silent Gliss shower rail, you might want to consider our window curtain tracks. All again are precision-engineered from high grade aluminium and nylon. There is a wide range available but the three below — in either white or silver aluminium — cover most domestic needs. All can be curved to order.

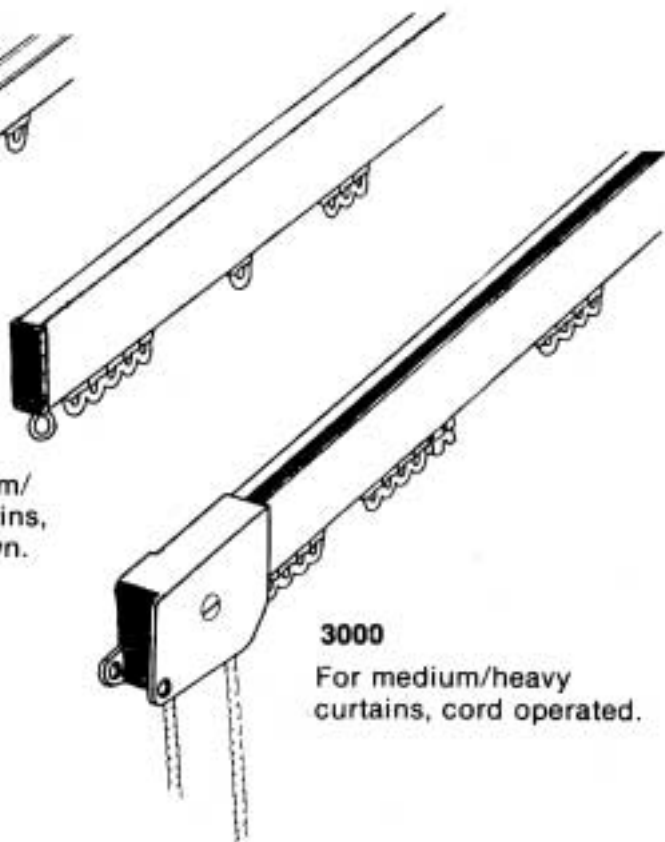
1090

For light/medium
curtains,
hand drawn.



1080

For medium/
heavy curtains,
hand drawn.



3000

For medium/heavy
curtains, cord operated.

Export and Kent, Surrey, Sussex, Berks, Hants and South West.

Star Lane, Margate, Kent CT9 4EF, England. Tel: 0843 63571 Telex: 96266 Fax: 0843 64503.

Wales, Midlands, Notts, Derby, North of England, Scotland.

AHED House, Sandbeds, Dewsbury Road, Ossett,

W. Yorkshire WF5 9ND. Tel: 0824 276373/278181.

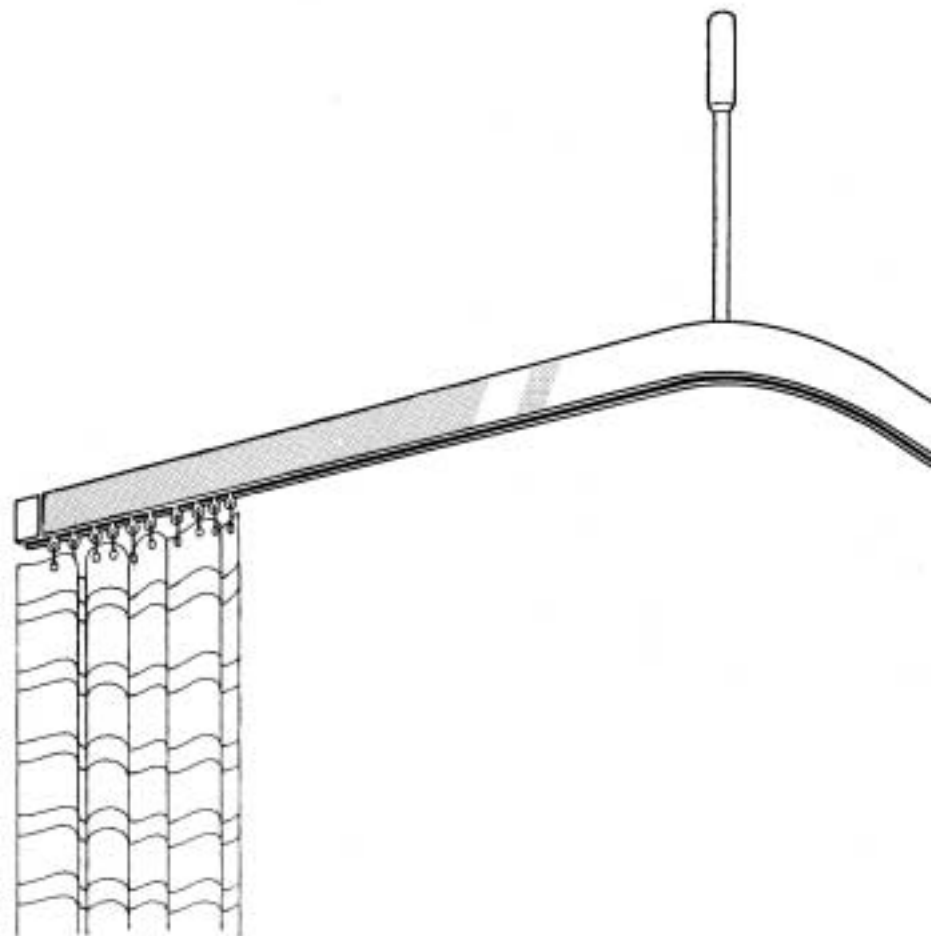
London Showroom:

Business Design Centre, Upper Street, Islington Green,

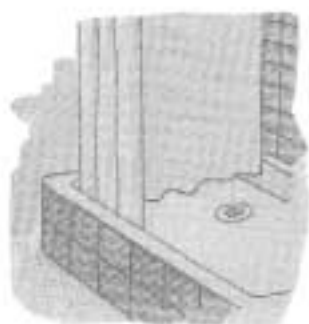
London N1 0QH. Tel: 071-288 6100/6101.



Silent Gliss 6100 Luxury Shower Rail Fitting Instructions



Fitting instructions



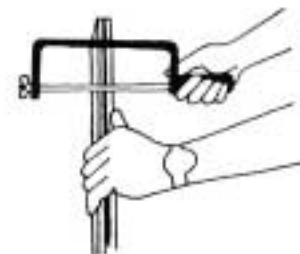
1 When choosing position remember curtain must hang inside bath/shower tray.



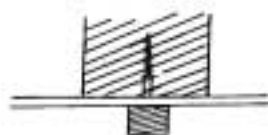
2 Rail can easily be trimmed with a hacksaw if necessary, file off rough edges.

Hanger tube can also be trimmed at unthreaded end to make sure curtain hangs at the length required.

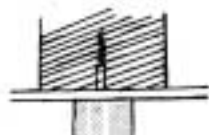
3 When measuring for height, mark on wall at top of rail—ready for wall support fixing.



6 Hanger rod can be moved around top channel to find suitable fixing—preferably a joist for ceiling stud.



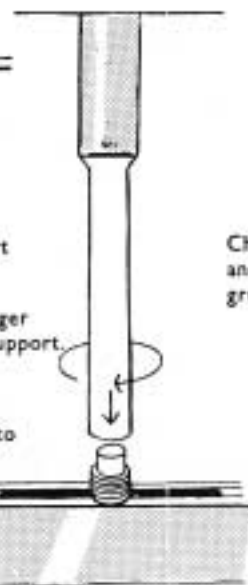
7 Screw ceiling stud to joist with screw provided.



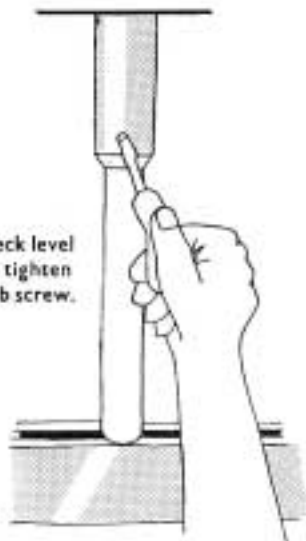
Screw ceiling support to stud.

Insert hanger rod into support.

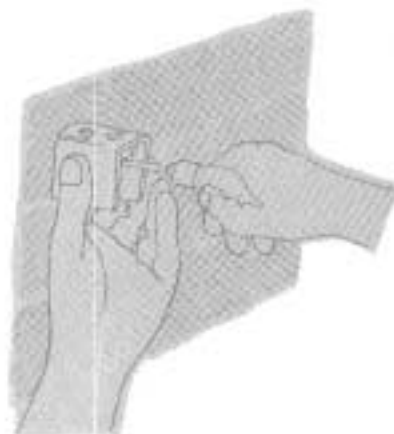
Screw rod to rail insert.



Check level and tighten grub screw.

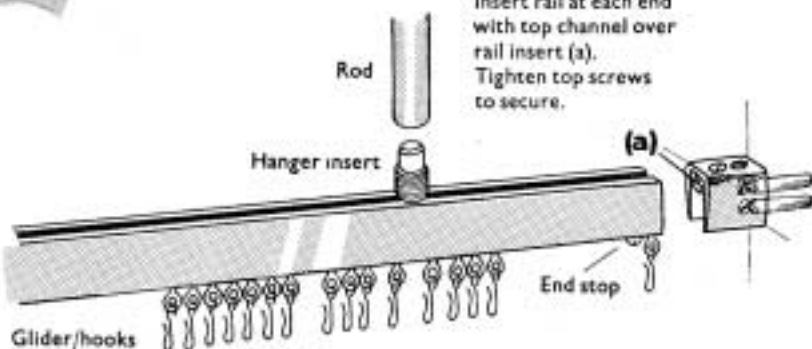


4 Remove wall supports from rail and screw to wall with screws provided.



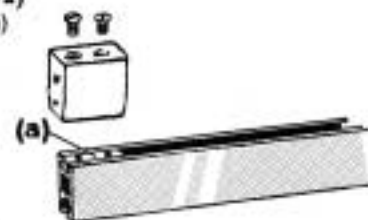
5 Now assemble fittings on rail—note different method of fitting straight or corner rails to wall supports.

Corner Rails (6100 b/c/d/e)
Slacken top screws on wall supports. Insert rail at each end with top channel over rail insert (a). Tighten top screws to secure.



Straight Rails (6100 a)

Remove rail inserts (a) from wall supports and fit into top channel of rail ends. Fit rail into wall supports from below. Tighten top screws to secure.



8 Insert dust cover—trim round hangers. Hang curtain onto glider/hooks, remember to fit end stop with one glider against wall to act as anchor.

